

1

2

3

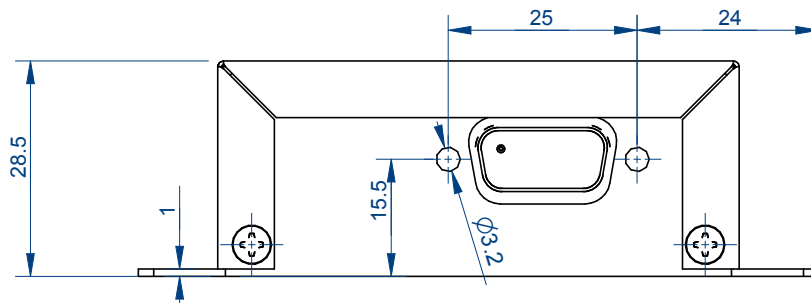
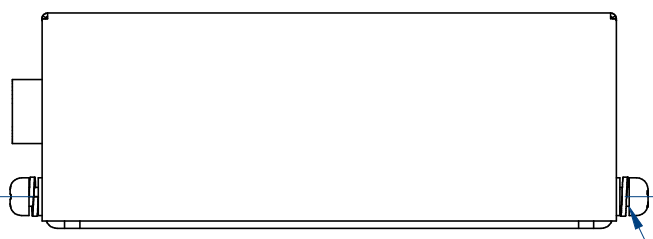
4

5

6

RevNo	Revision note	Date	Signature	Checked
-------	---------------	------	-----------	---------

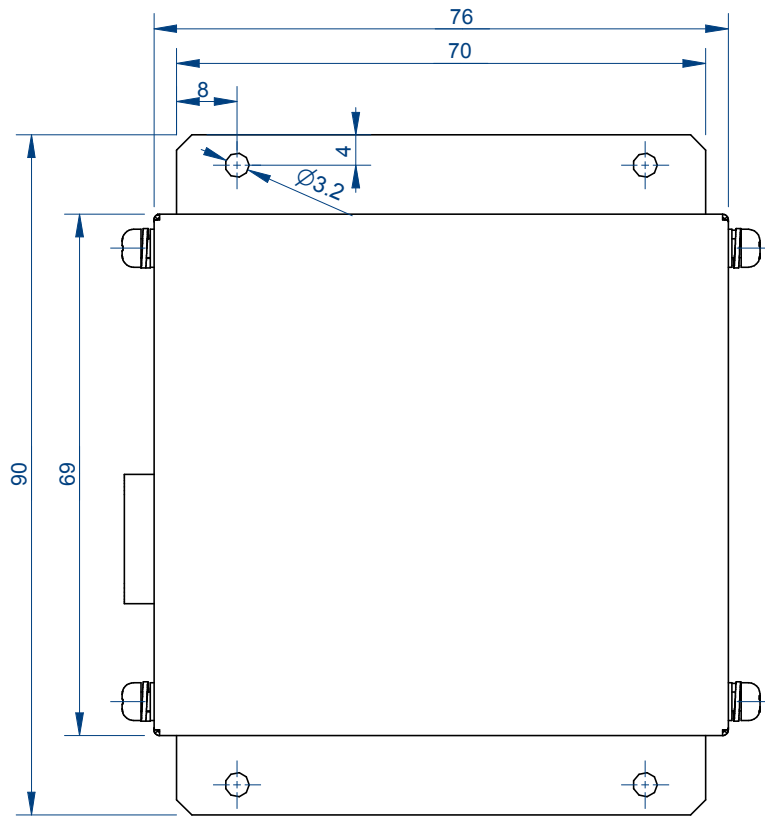
A



A

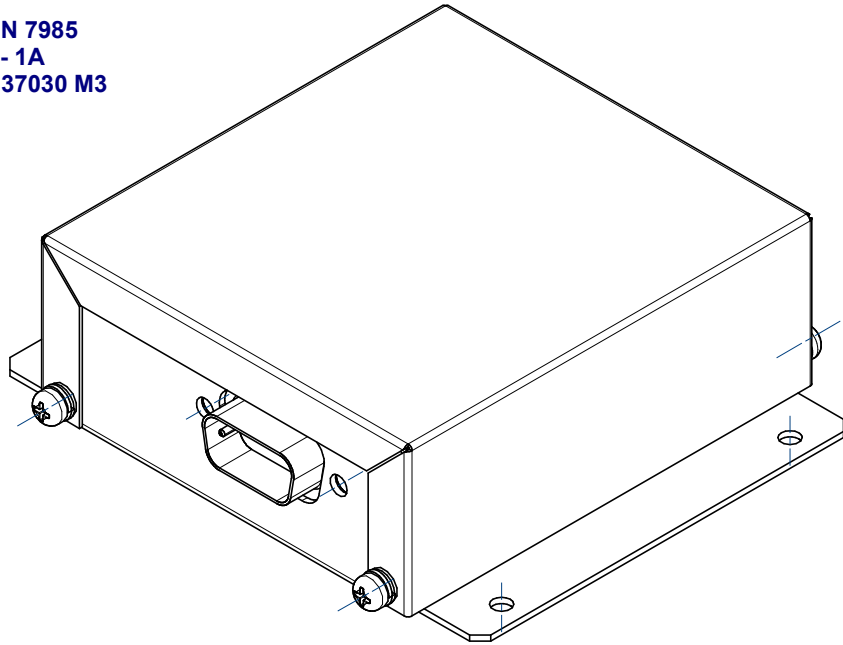
B

Sroub M 2.5 x 6 DIN 7985
Podložka DIN 125 - 1A
Perovka FABORY 37030 M3



B

C



C

D

Itemref	Quantity	Title/Name, designation, material, dimension etc			Article No./Reference	
Drawn by Tomas MARCZI	Checked by P.Jerabek	Approved by - date	File name	Date 9th of September 2008	Scale 1:1	
TL elektronik a.s.			6551 - Sestava Remote Compasu			
			TLX-6551-KA-002-PrD			Edition A

D

1

2

3

6